



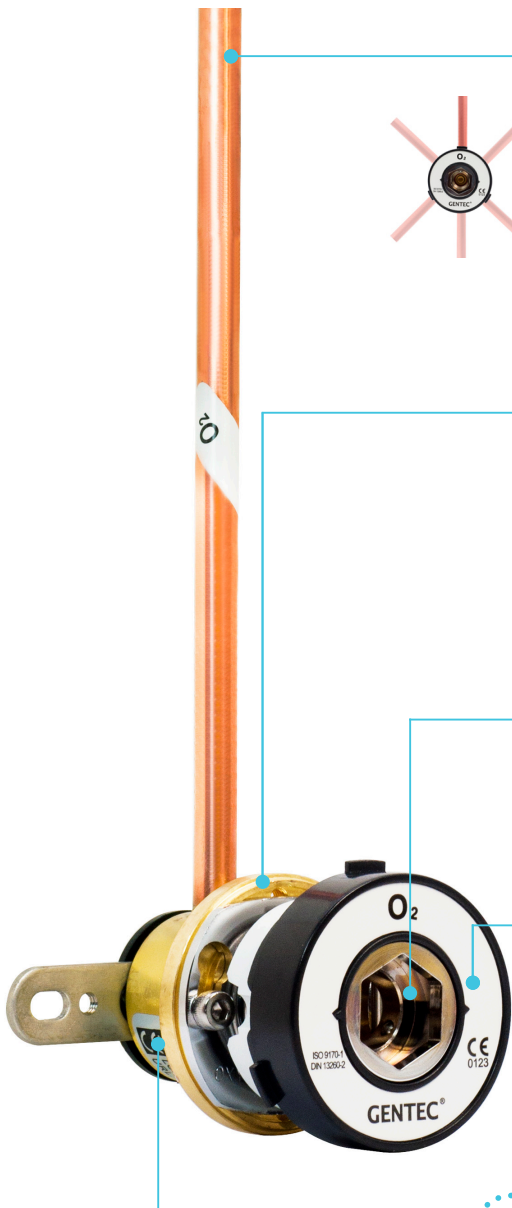
## German / British / Japanese Medical Gas Outlets

38X6 / 38X7 / 38X8

- Color-coded for easy gas service identification
- Modular structure, convenient maintenance
- German (DIN) Gas Outlet is CE listed and compliant with EN ISO 9170-1 and DIN 13620-2
- British (BS) Gas Outlet is CE listed and compliant with HTM 02-01, ISO 9170-1 and BS 5682
- Japanese (JIS) Gas Outlet is compliant with EN ISO 9170-1 and JIS T 7101

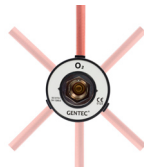
## Specifications

GENTEC® gas outlets are designed for delivery of medical gas from a central pipeline system. These outlets are 100% individually tested for leaks to ensure safety. The outlets are designed with safety in mind and comply fully with ISO 9170-1. Outlets are manufactured in an ISO 9001: 2008 and ISO 13485 registered facility.



### The Inlet Pipe

- Base block allows for the inlet pipe to be installed in 6 different directions for ease of installation
- Multiple connections available: 90° copper tubing, 180° copper tubing, 90° hose connection, 180° hose connection, 90° VCR connection, 180° VCR connection



### Body

- Durable high quality forged brass body
- The sealing ring can be replaced without interrupting gas service to other outlets
- Body is compatible with previous model pressure lid

### Gas Specific Indexing

- Prevents interchanging of gas service

### Pressure Lid

- Manufactured from high quality plastic
- Uses color code for differentiating gas service

### Base Block

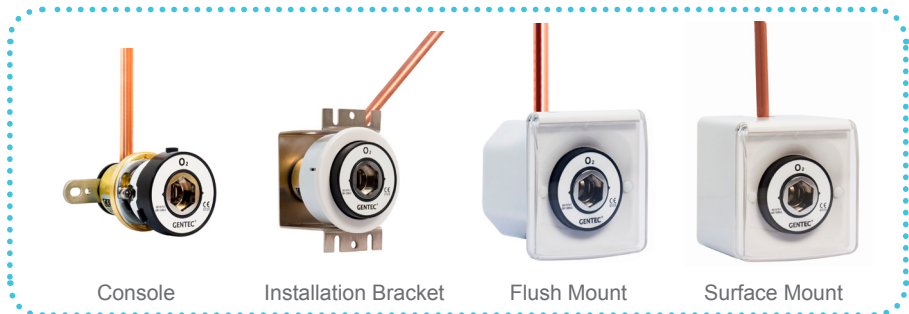
- High quality forged brass



German Standard

British Standard

Japanese Standard



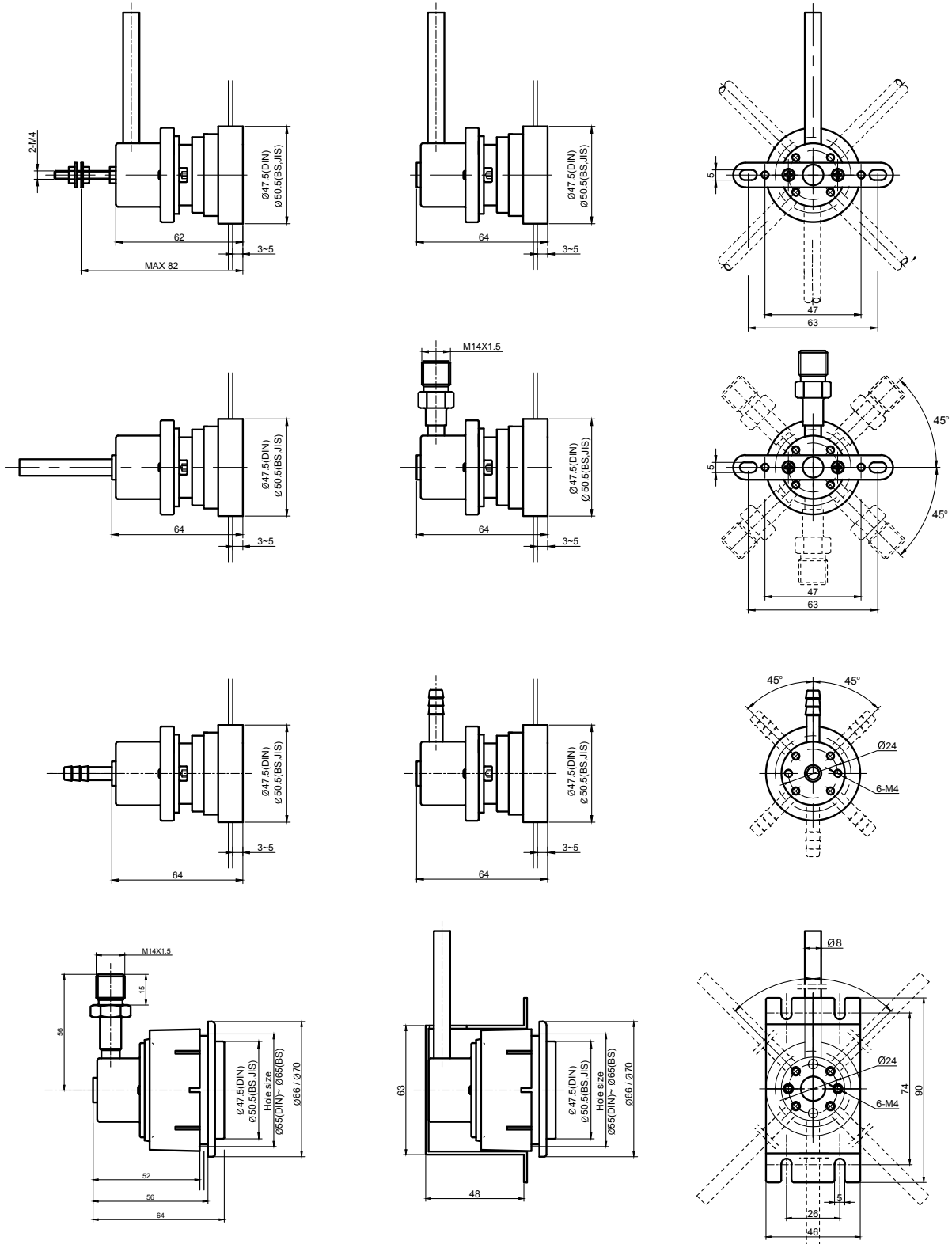
Console

Installation Bracket

Flush Mount

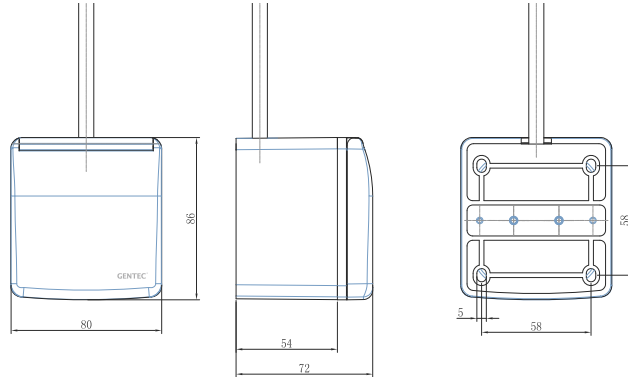
Surface Mount

**Dimensions** units in millimeter(s)

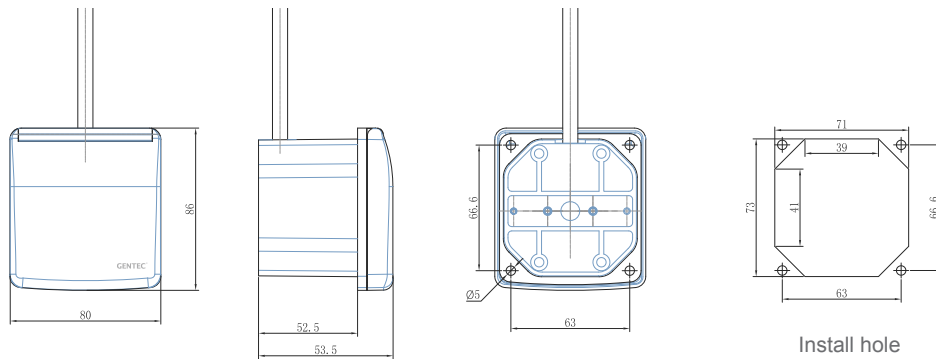


**Dimensions** units in millimeter(s)

**Surface Mount**

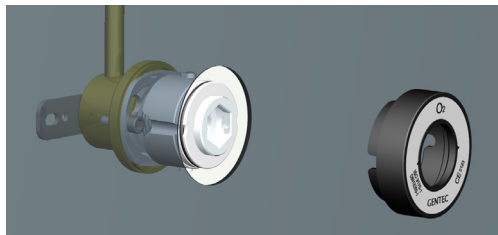


**Flush Mount**

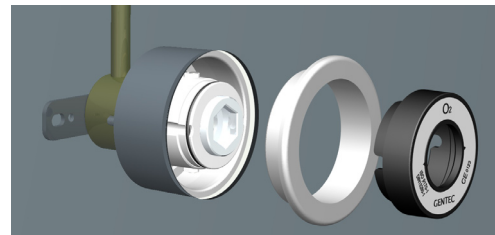


Install hole

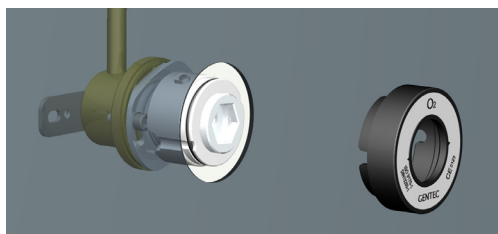
**Repair Schematics**



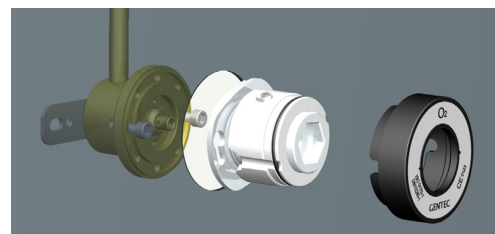
1. Pull the pressure lid off



1A. Pull the pressure lid and the decor off



2. Loosen the two retaining bolts 2-3 mm  
Pull out the body at an angle




3. Replace the sealing ring without disassembling the panel mount

## Ordering Information ( Console Type )

381	6 -	V -	S	P08 -	P /	C
Series	Type	Gas Service	Inlet Direction	Inlet Connection	Lid Type	Type of Mounting
	6: GSO (DIN) 7: BSO (BS) 8: JSO (JIS)	O: Oxygen V: Vacuum A: Air (400 kPa) 2: N <sub>2</sub> O C: CO <sub>2</sub> * N: N <sub>2</sub> -800* A8: Air-800*	S: 90° R: 180°	P08: Straight, O.D. of 8mm P10: Straight, O.D. of 10mm HB4: Flexible hose: 1/4" HB5: Flexible hose: 5/16" M14: Threading M14 X 1. 5VCR	P: Flat-faced pressure lid P2: Flat-faced pressure lid with round decor	C: With console plate B: With installation bracket





\*: Please ask GENTEC or your local distributor for availability.

Type of Mounting	Configuration	Type of Mounting	Configuration
P / C	 <p>Flat-faced pressure lid, console type with console plate</p>	P / B	 <p>Flat-faced pressure lid, console type with installation bracket</p>
P2 / C	 <p>Flat-faced pressure lid with round decor, console type with console plate</p>	P2 / B	 <p>Flat-faced pressure lid with round decor, console type with installation bracket</p>

## Ordering Information ( Wall Type )

382	6 -	V -	S	P08 -	P /	F
Series	Type	Gas Service	Inlet Direction	Inlet Connection	Lid Type	Type of Mounting
	6: GSO (DIN) 7: BSO (BS) 8: JSO (JIS)	O: Oxygen V: Vacuum A: Air (400 kPa) 2: N <sub>2</sub> O C: CO <sub>2</sub> * N: N <sub>2</sub> -800* A8: Air-800*	S: 90° R: 180°	P08: Straight, O.D. of 8mm P10: Straight, O.D. of 10mm HB4: Flexible hose: 1/4" HB5: Flexible hose: 5/16" M14: Threading M14 X 1. 5VCR	P: Flat-faced pressure lid P1: Flat-faced pressure lid with square decor	F: Flush Mount W: Surface Mount

\*: Please ask GENTEC or your local distributor for availability.

Type of Mounting	Configuration	Type of Mounting	Configuration
P / F	 <p>Flat-faced pressure lid, wall type, flush mount with protective cover</p>	P / W	 <p>Flat-faced pressure lid, wall type, surface mount with protective cover</p>
P1 / F	 <p>Flat-faced pressure lid with square decor, wall type, flush mount</p>	P1 / W	 <p>Flat-faced pressure lid with square decor, wall type, surface mount</p>