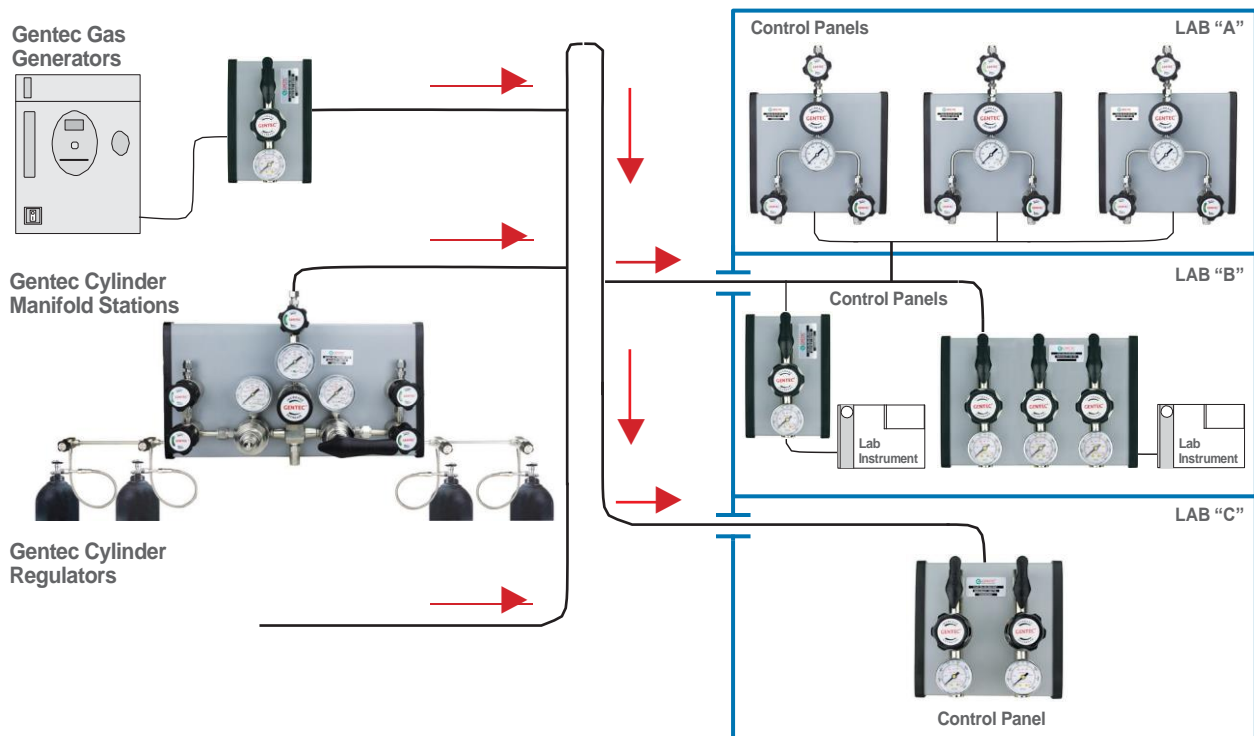


Gas Delivery Systems

Three key areas of design will determine the quality of the gas performance in a laboratory operation.

1. **Source** of Supply = Dewars, Gas Cylinders, and Gas Generators
2. **Distribution** of Gas = Piping System
3. **Point of Use** Control of Delivery = Terminal Points

Gentec Gas Delivery systems are designed to provide safe, efficient and convenient gas control to the laboratory environment.



PSB/PSSL SERIES

Single Station Manifold

Specialty Gas Equipment

GENTEC® PSB/PSSL Series is designed to provide safe, fast and simple cylinder exchanges by eliminating the direct connection between the gas regulator and cylinder



Note: Pigtail is optional. Gas Regulator sold separately.

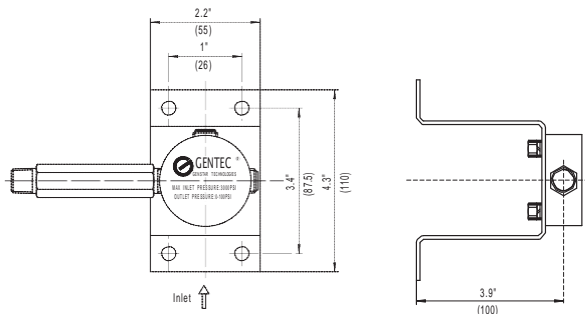
Product Features

- Bracket Mount fits both Single and Dual-Stage Regulator
- Multiport Station Blocks are available in 316L Stainless Steel
- 3 ft Pigtails with integral check valve. 6 ft is optional
- Maximum inlet pressure: 3000 psig

Applications

- Laboratories
- Supply of GC carrier gas/support gas
- Supply of calibration gases to on-line process analyzers, monitoring systems

Panel Mount



EX:PSB Series	W Bracket Style	D - Inlet Pressure	C320 - Inlet Connection	01 - Outlet Connection (to regulator)	S Pigtail Option
PSB: Brass PSSL: 316L	W: Wall-Mount	D: 3000 psi	Pigtail C320: CGA320 C330: CGA330 C350: CGA350 Other Connections are Available No Pigtail 00: 1/4" NPT(M)	01: 1/4" NPT(M) No Extension Bar 00: 1/4" NPT(F)	S: 316L T: Teflon

The PSB/PSSL Series Regulator Protocol Station can be modified to your needs. The special four (4) port manifold block enables one to configure a delivery system in a variety of ways.

