



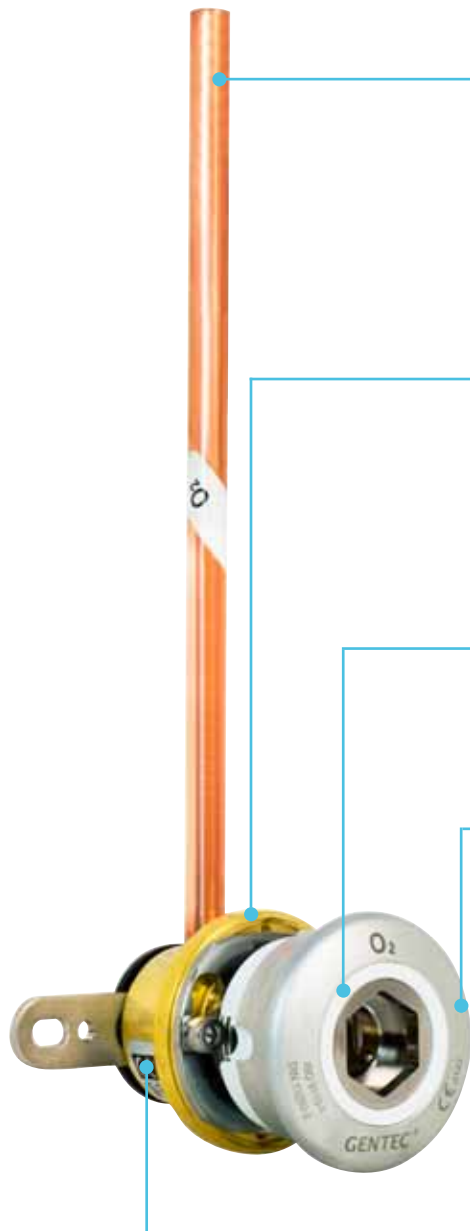
German (DIN) Medical Gas Outlets

38X6 Series

- Color-coded for easy gas service identification
- Modular structure, convenient maintenance
- A variety of installation, easy to use
- 100% tested and individually packaged
- German (DIN) Gas Outlet is CE listed and compliant with EN ISO 9170-1 and DIN 13620-2

Specifications

GENTEC® gas outlets are designed for delivery of medical gas from a central pipeline system. These outlets are 100% individually tested for leaks to ensure safety. The outlets are designed with safety in mind and comply fully with ISO 9170-1. Outlets are manufactured in an ISO 9001: 2008 and ISO 13485 registered facility.



The Inlet Pipe



- The inlet pipe to be installed in six directions for ease of installation
- Multiple connections available: 90° copper tubing, 180° copper tubing, 90° hose connection, 180° hose connection, 90° VCR connection, 180° VCR connection

Body

- Durable high quality forged brass body
- The sealing ring can be replaced without interrupting gas service to other outlets
- Body is compatible with previous model pressure lid

Gas Service Indication Ring

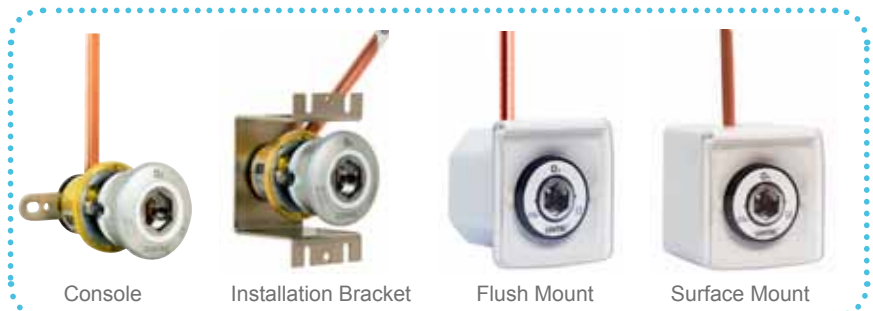
- Uses color code for differentiating gas service

Pressure Lid

- Manufactured from high quality aluminum alloy
- Gray chrome plating to protect against oxidation and corrosion
- Laser engraved markings

Base Block

- High quality forged brass



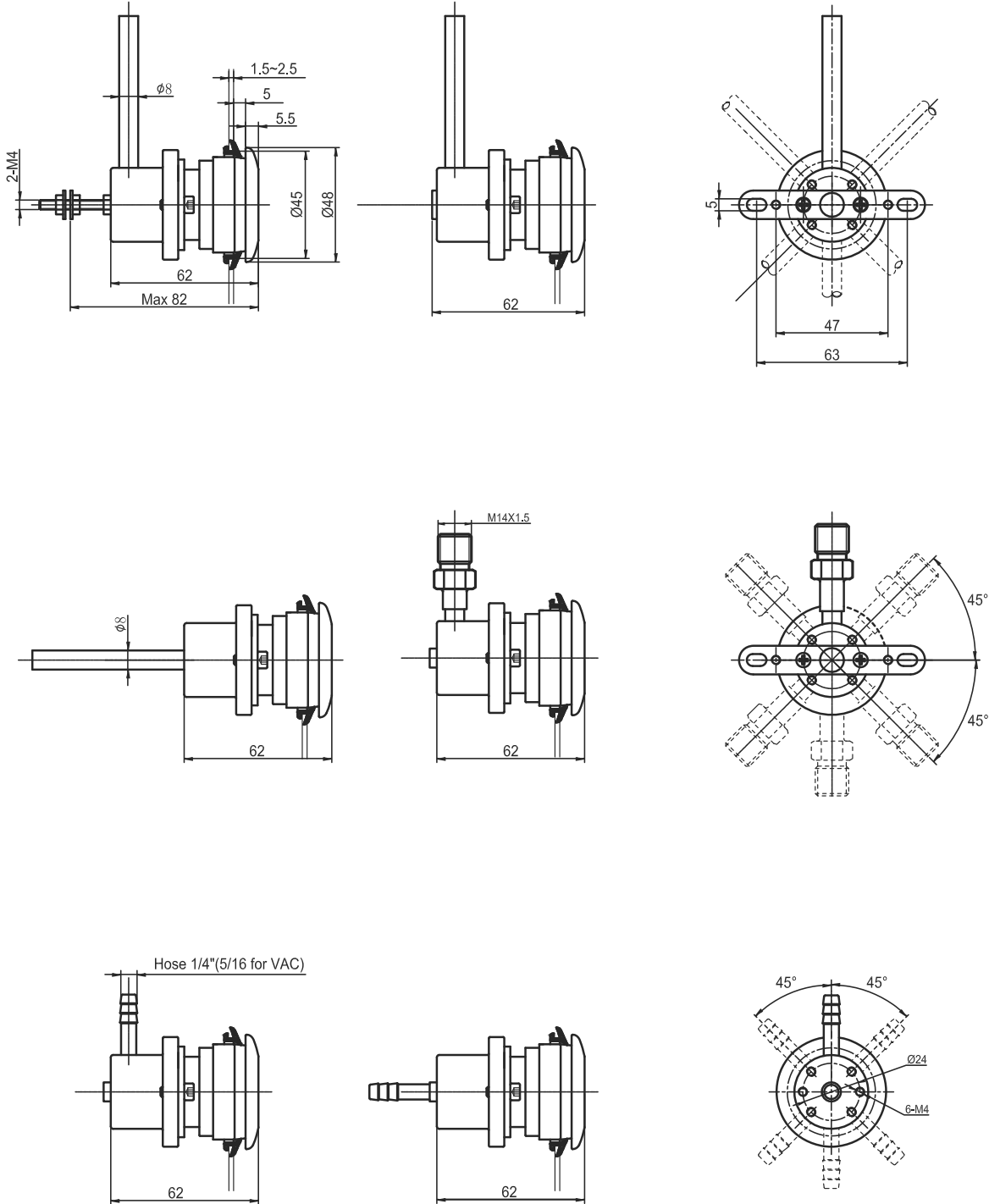
Console

Installation Bracket

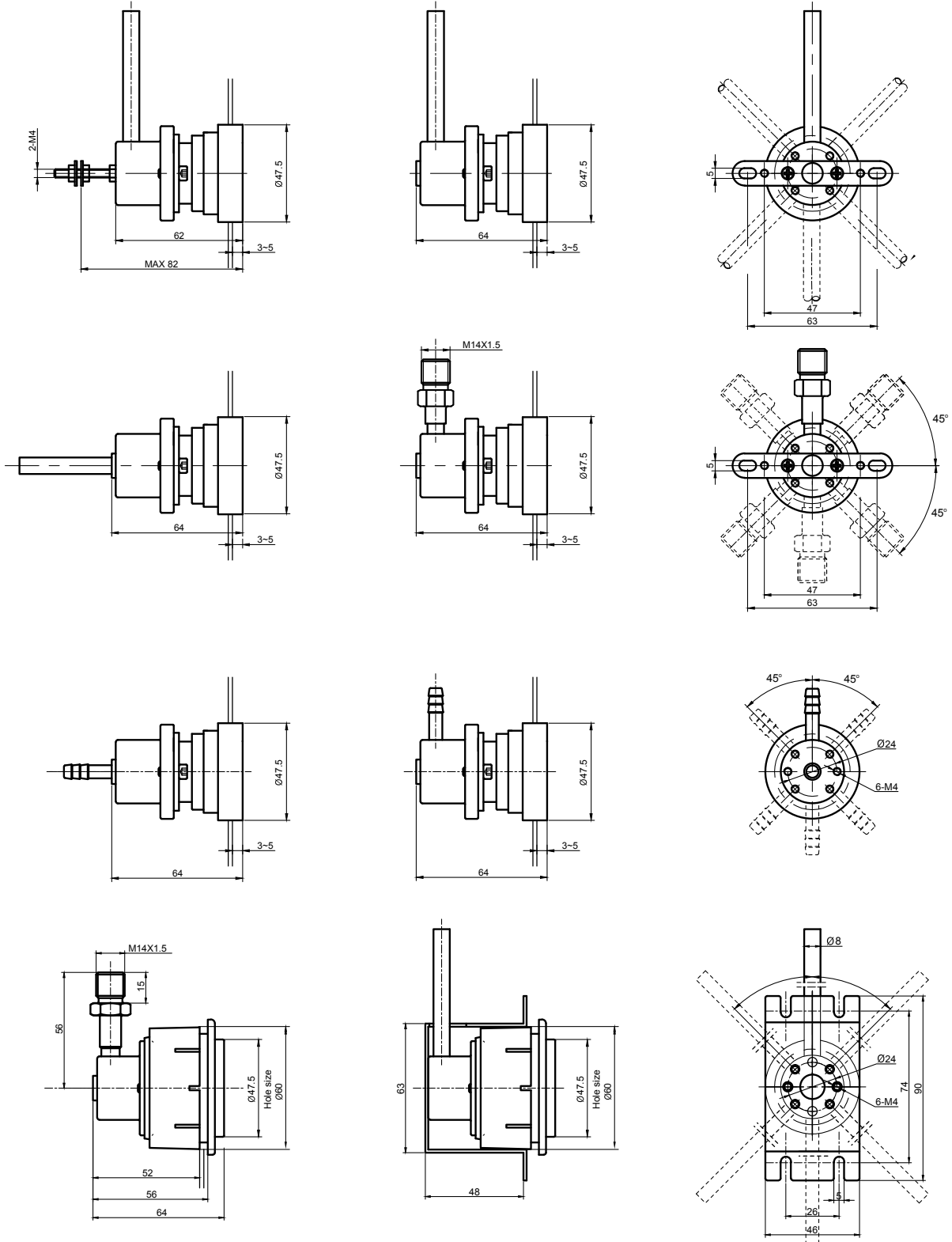
Flush Mount

Surface Mount

Dimensions (Round-faced Pressure Lid) units in millimeter(s)

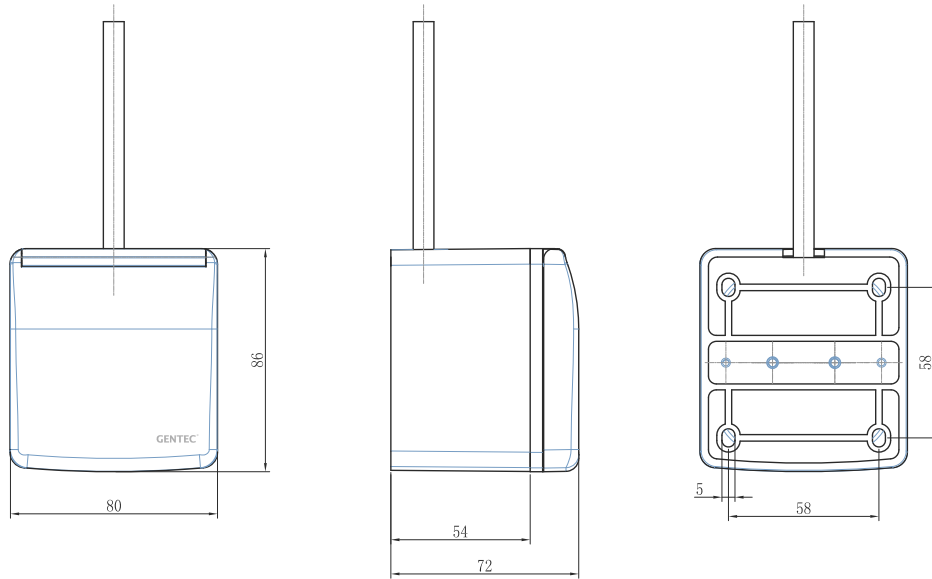


Dimensions (Flat-faced Pressure Lid) units in millimeter(s)

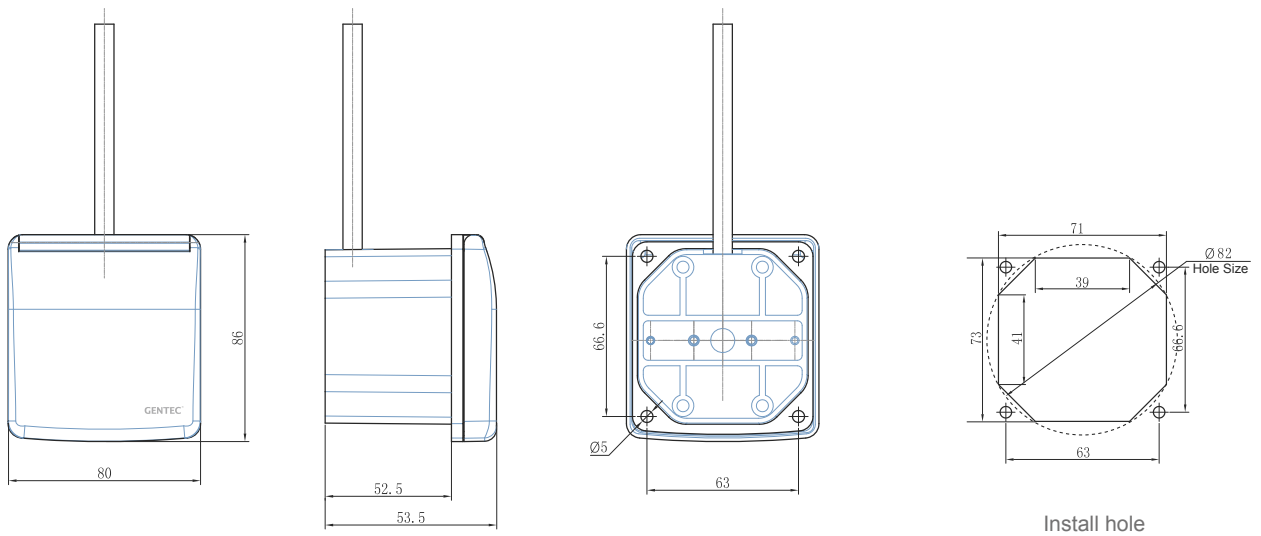


Dimensions units in millimeter(s)

Surface Mount



Flush Mount



Repair Schematics (Round-faced Pressure Lid)



1. Pull the pressure lid off



2. Loosen the two retaining bolts 2-3 mm



3. Pull out the body at an angle

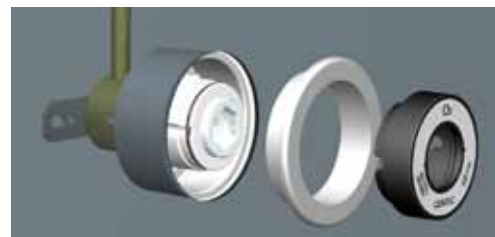


4. Replace the sealing ring without disassembling the panel mount

Repair Schematics (Flat-faced Pressure Lid)



1. Pull the pressure lid off



1A. Pull the pressure lid and the decor off



2. Loosen the two retaining bolts 2-3 mm
Pull out the body at an angle





3. Replace the sealing ring without disassembling the panel mount

Ordering Information (Console Type)

3816E - V -		S	P08 -	S /	B
Series	Gas Service	Inlet Direction	Inlet Connection	Lid Type	Type of Mounting
	O: Oxygen V: Vacuum A: Air (400 kPa) 2: N ₂ O W: WAGD (ISO 9170-2 TYPE II) C: CO ₂ * N: N ₂ -800* A8: Air-800*	S: 90° R: 180°	P08: Straight, O.D. of 8mm P10: Straight, O.D. of 10mm P12: Straight, O.D. of 12mm HB4: Flexible hose: 1/4" HB5: Flexible hose: 5/16" M14: Threading M14 X 1.5VCR	S: Round-faced pressure lid P: Flat-faced pressure lid with round decor	None: With console plate B: With installation bracket





*: Please ask GENTEC or your local distributor for availability.

Type of Mounting	Configuration	Type of Mounting	Configuration
S	 Round-faced pressure lid, console type with console plate	S / B	 Round-faced pressure lid, console type with installation bracket
P / C	 Flat-faced pressure lid with round decor, console type with console plate	P / B	 Flat-faced pressure lid with round decor, console type with installation bracket

Ordering Information (Wall Type)

3826E - V -	S	P08 -	S /	F	
Series	Gas Service	Inlet Direction	Inlet Connection	Lid Type	Type of Mounting
	O: Oxygen V: Vacuum A: Air (400 kPa) 2: N ₂ O W: WAGD (ISO 9170-2 TYPE II) C: CO ₂ * N: N ₂ -800* A8: Air-800*	S: 90° R: 180°	P08: Straight, O.D. of 8mm P10: Straight, O.D. of 10mm P12: Straight, O.D. of 12mm HB4: Flexible hose: 1/4" HB5: Flexible hose: 5/16" M14: Threading M14 X 1. 5VCR	S: Round-faced pressure lid P: Flat-faced pressure lid	F: Flush Mount W: Surface Mount

*: Please ask GENTEC or your local distributor for availability.

Type of Mounting	Configuration	Type of Mounting	Configuration
S / F	 <p>Round-faced pressure lid, wall type, flush mount with protective cover</p>	S / W	 <p>Round-faced pressure lid, wall type, surface mount with protective cover</p>
P / F	 <p>Flat-faced pressure lid, wall type, flush mount with protective cover</p>	P / W	 <p>Flat-faced pressure lid, wall type, surface mount with protective cover</p>

3826E Series German Outlets (Without Protective Cover)



Flush Mount



Surface Mount

Ordering Information

3826E	- O	- W
Series	Gas Service	Installation
3826E	O: Oxygen V: Vacuum A: Air (400 kPa) 2: N ₂ O W: WAGD (ISO 9170-2 TYPE II) C: CO ₂ * N: N ₂ -800* A8: Air-800*	None: Flush Mount W: Surface Mount

*: Please ask GENTEC or your local distributor for availability.

Installation	Configuration	Installation	Configuration
Flush Mount		Surface Mount	



Genstar Technologies Company Inc.

4525 Edison Avenue, Chino, CA 91710, USA

Tel: 909-606-2726

Fax: 909-606-6485

www.gentechealthcare.com

