



British Standard



Japanese Standard



French Standard



German Standard

FEATURES

- Color-coded for easy gas service identification according to ISO 32
- Pressure Lid can be disassembled during maintenance
- Multiple assembly methods
- 100% tested and individually packaged
- French Standard is compliant with ISO 9170-1 and NFS 90 116
- German Standard is CE listed and compliant with ISO 9170-1 and DIN 13620-2
- British Standard is CE listed and compliant with HTM 02-01, ISO 9170-1 and BS 5682-1998
- Japanese Standard is compliant with ISO 9170-1 and JIST 7101

SPECIFICATIONS

GENTEC® gas outlets are designed for delivery of medical gas from a central pipeline system. These outlets are 100% individually tested for leaks to ensure safety. The outlets fulfill ISO 9170-1 and are manufactured in an ISO 9001:2000 and ISO 13485 certified manufacturing facility.



The Inlet Pipe

- The swivel design allows the inlet pipe to be installed in six directions for ease of installation
- Multiple connections available: 90° copper tubing, 180° copper tubing, 90° flexible connection, 180° flexible connection, 90° VCR connection

Body

- Durable high quality forged brass body
- The sealing ring can be replaced without interrupting gas service to other outlets
- Body is compatible with previous model pressure lid

Gas Service Indication Ring

- Uses ISO 32 color code for differentiating gas service
- Durable and conspicuous

Pressure Lid

- Manufactured from high quality aluminum alloy
- Anodized to protect against oxidation and corrosion



Base Block

- High quality forged brass



Surface Mount

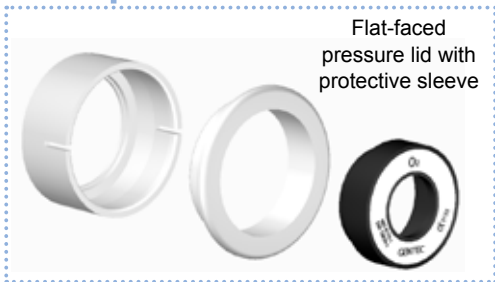
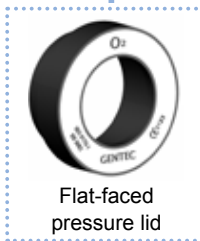
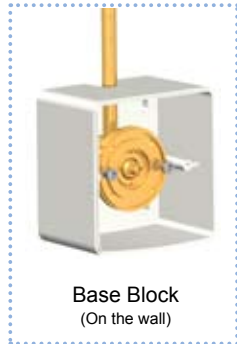


Flush Mount



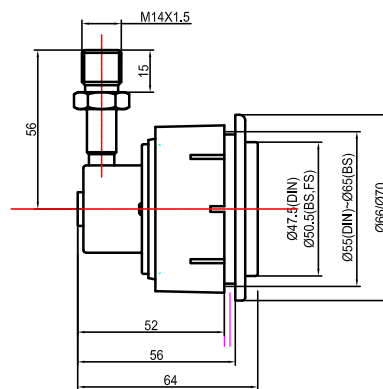
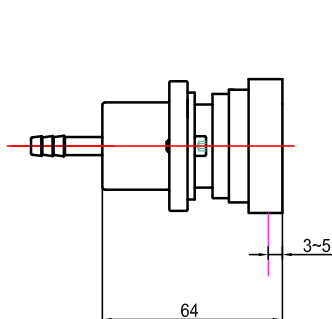
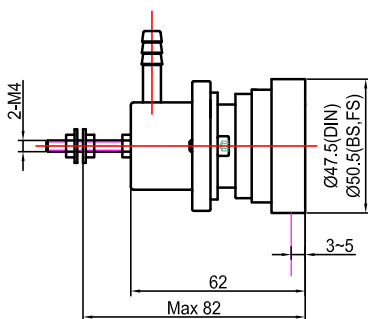
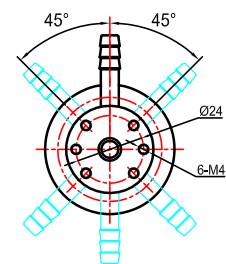
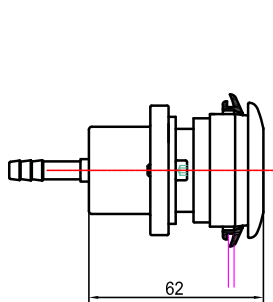
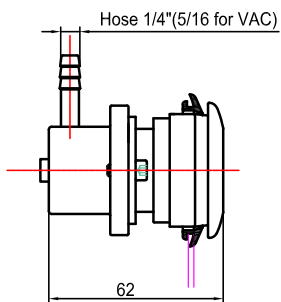
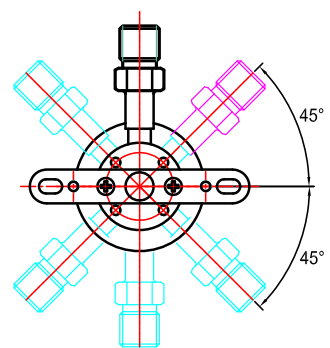
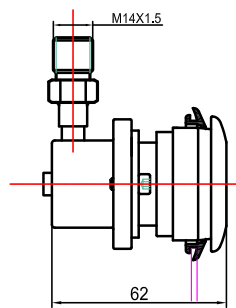
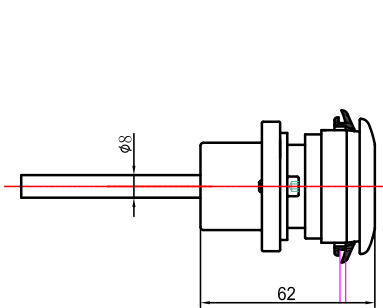
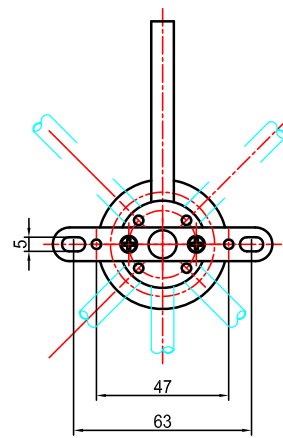
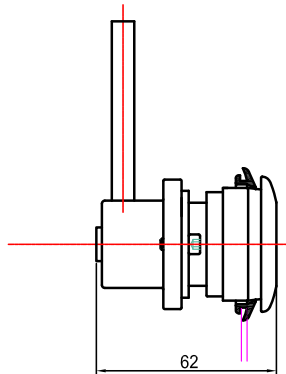
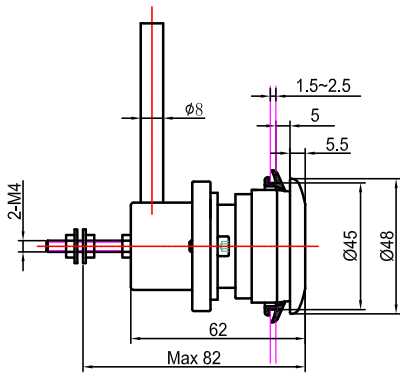
Installation Bracket

CONFIGURATION



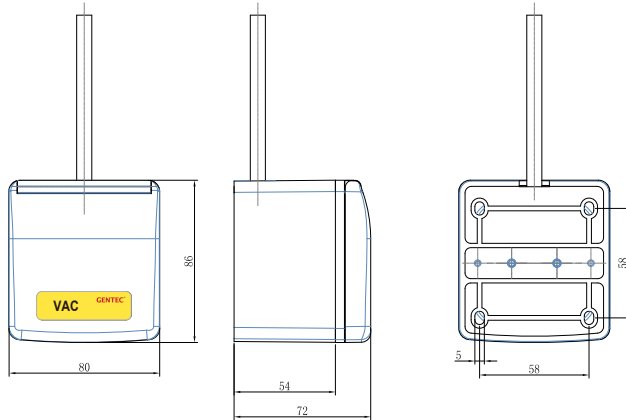
Please choose the base block, socket, pressure lid to meet your requirement(s)

DIMENSIONS units in millimeter(s)

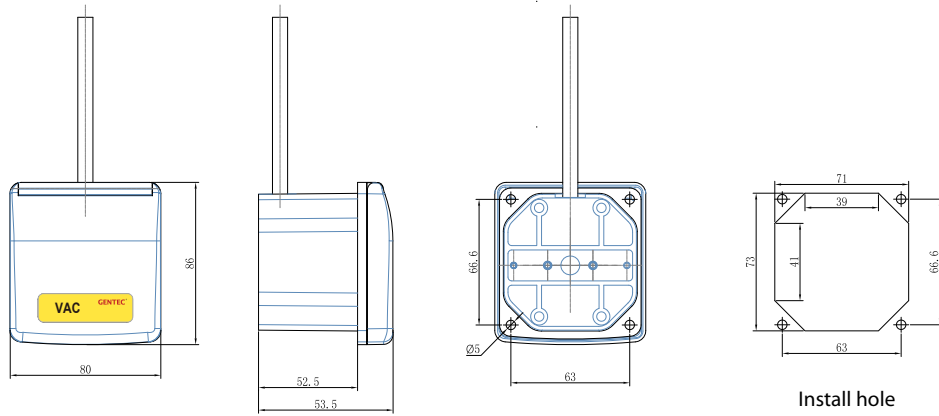


DIMENSIONS units in millimeter(s)

Surface Mount



Flush Mount



REPAIR SCHEMATICS



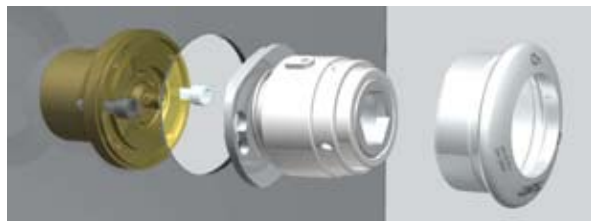
1. Pull the pressure lid off



2. Loosen the two retaining bolts 2-3 mm



3. Pull out the body at an angle



4. Replace the sealing ring without disassembling the panel mount

ORDERING INFORMATION

38	1	6	-	V	-	S	P 0 8	-	S
Series	Installation	Type		Gas Service		Inlet direction	Connection		Lid Options
	1: Console	5: FSO		O: Oxygen		S: 90°	P08: Straight, O.D. of 8mm		SN: Round-faced pressure lid
	2: Surface mount	6: GSO		V: Vacuum		R: 180°	P10: Straight, O.D. of 10mm		S: Round-faced pressure lid
	3: Flush mount	7: BSO		A: Air (400 kPa)			P12: Straight, O.D. of 12mm		with panel and protective
	4: Installation bracket	8: JSO		2: N ₂ O			HB4: Flexible hose: 1/4"		cover
				C: CO ₂			HB5: Flexible hose: 5/16"		P: Flat-faced pressure lid
				N: N ₂			M14: Threading M14 X 1.5VCR		with protective sleeve
				MA7: Air (800 kPa)					PN: Flat-faced pressure lid
									P1: Flat-faced pressure lid
									with panel and protective
									cover
									P2: Flat-faced pressure lid
									with panel



Represented by:

Technology for a Better Future

Genstar Technologies Company, Inc.
 4525 Edison Avenue
 Chino, CA 91710, USA
 Tel: 909-606-2726
 Fax: 909-606-6485
www.gentechealthcare.com